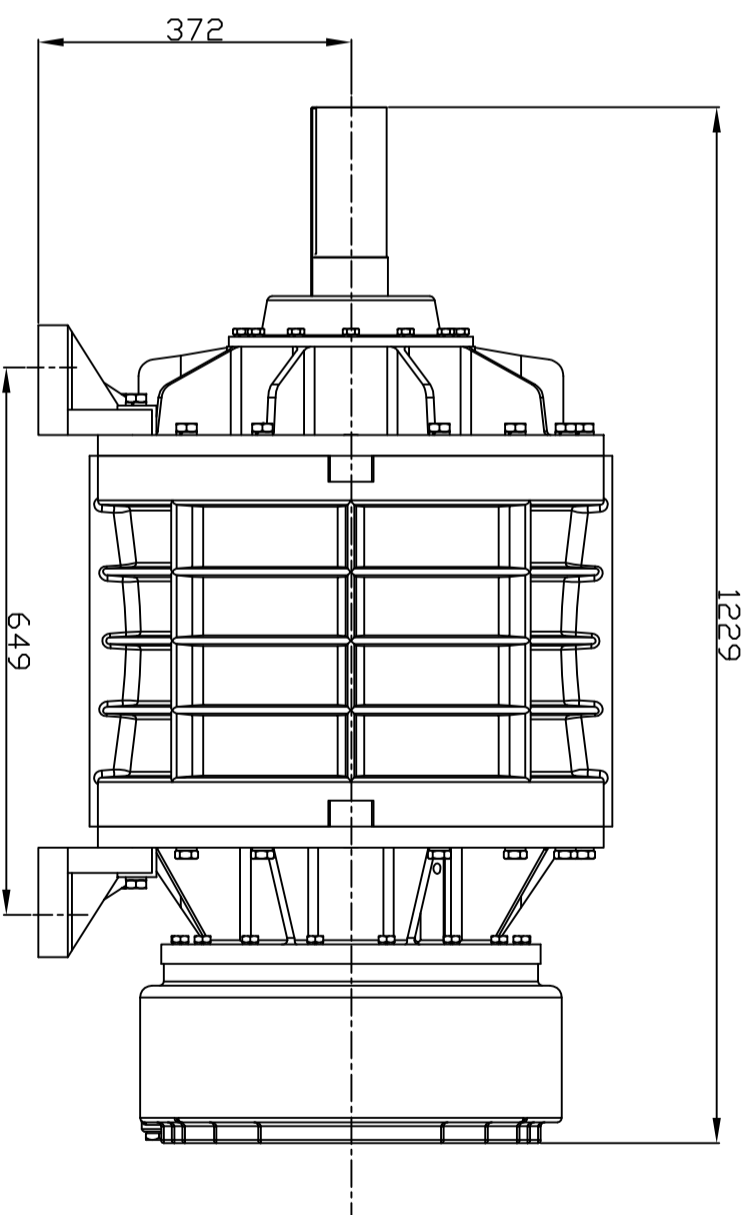


12 HOLES TAP M20 ON
395 PCD EQUI.
SPACED AS SHOWN



DO NOT SCALE
IF INDOUBT ASK

BLOWER PORT
300 NB

DRG NO. 159377A
REV. NO. R0

ALL DIMENSIONS IN mm	
TOL.	mm
	0.30
	0.125
	0.25
	0.38
ANGLE ±	1°
STO. MACH. FINISH	
	SW
GEOMETRIC TOLERANCE SYMBOLS	
CHARACTERISTIC	SYMBOL
FLATNESS	
ROUNDEDNESS	
PERPENDICULARITY	
PARALLELISM	
SQUARENESS	
ROUNDNESS	
POSITION	
CONCENTRICITY	
SYMMETRY	
MIN. C.	

ISSUE NO.	ECN NO.	DATE	APPD.

KSR650 BARE BLOWER